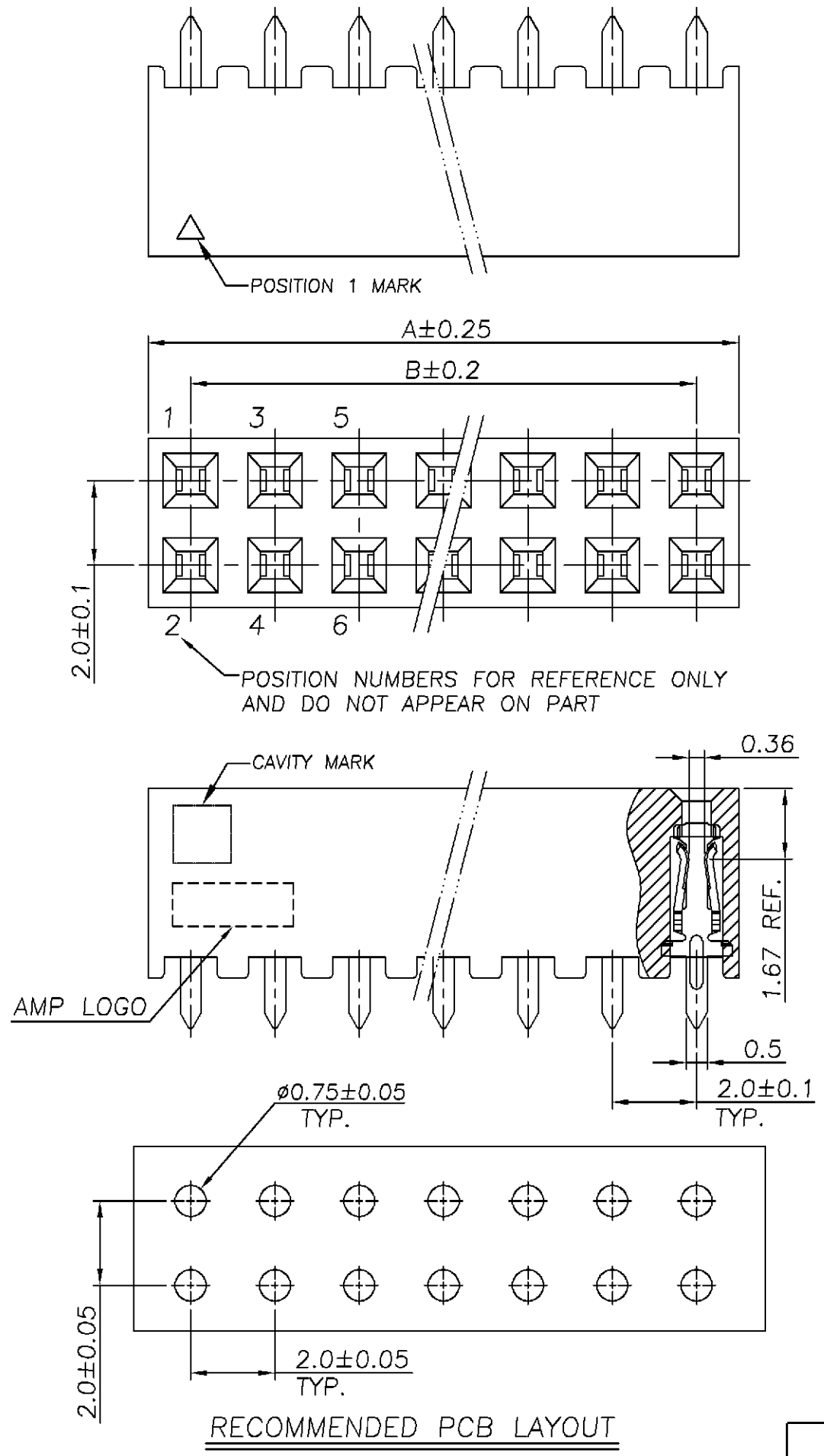


NUMBER C-1470209
 METRIC
 3RD ANGLE PROJECTION
 THIS INFORMATION IS CONFIDENTIAL AND IS DISCLOSED TO YOU ON CONDITION THAT NO FURTHER DISCLOSURE IS MADE BY YOU TO OTHER THAN AMP PERSONNEL WITHOUT WRITTEN AUTHORIZATION FROM AMP (TAIWAN) LTD.
 DIMENSIONS IN MILLIMETERS. DO NOT SCALE PRINT.
 PRINT DIST DW
 8 7 6 5 4 3 2 1

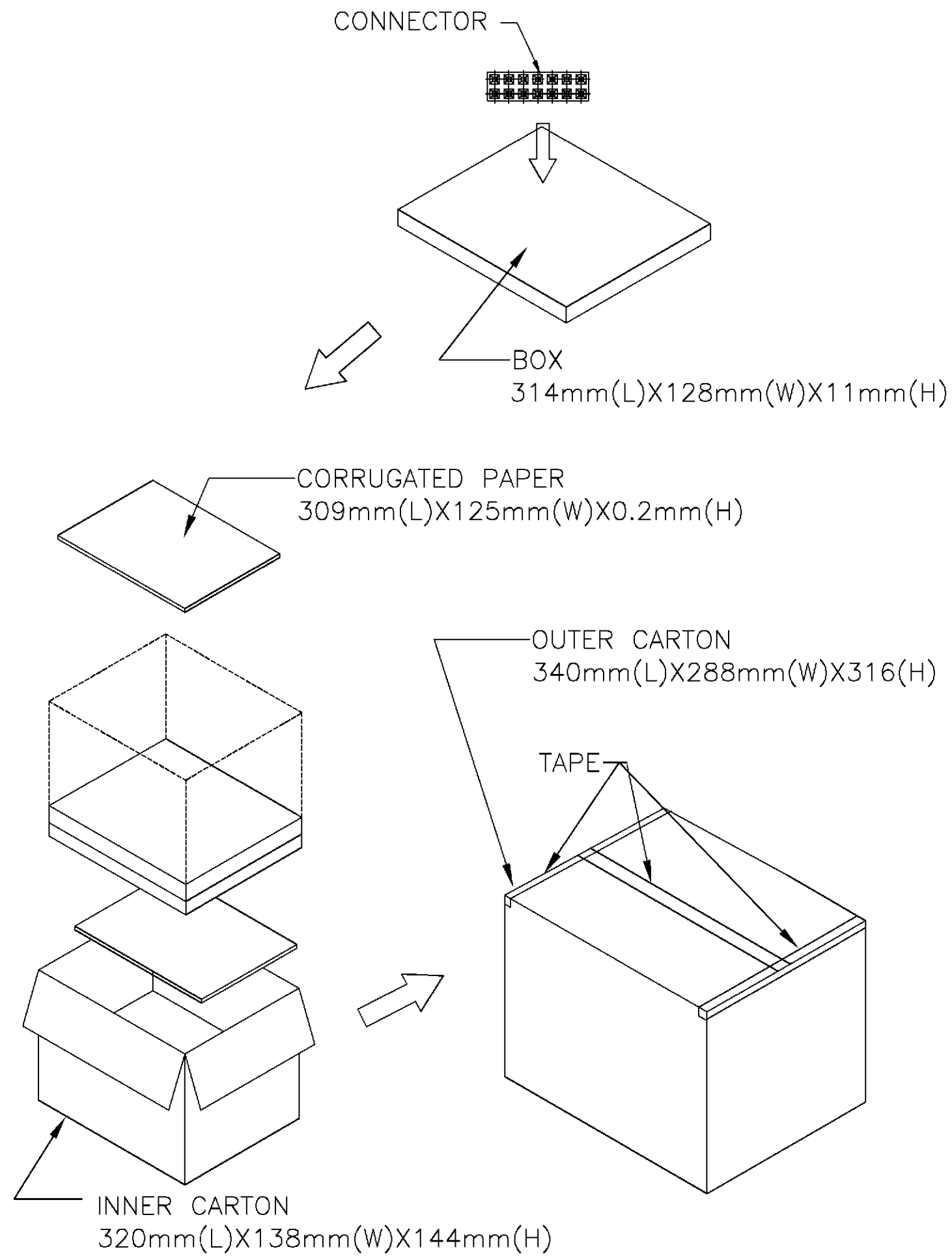


- NOTE:
- MATERIAL :
HOUSING : NYLON 66 OR EQUIVALENT, UL94V-0, BLACK COLOR.
CONTACT : COPPER ALLOY
 - FINISH:
CONTACT : GOLD PLATED (SEE TABLE) ON CONTACT AREA
80u" MIN. TIN PLATED ON SOLDER TAIL,
50u" MIN. NICKEL UNDERPLATED ALL OVER.
 - APPLICATION :
SOLDERTAIL LENGTH 2.6 FOR PCB THICKNESS 1.6±0.1
1.2 FOR PCB THICKNESS 0.3 MAX.
 - KEYING POS. : HOUSING CAVITY MOLDED SHUT

GOLD PLATE THICKNESS	"L"	KEYING POS.	30u"			8u"			PART NUMBER								
			A	B	POS	A	B	POS									
30u"	2.6±0.1	6	40	38	40	9-	-	-9	8u"	2.6±0.1	6	40	38	40	4-	-	-9
			50	48	50	9-	-	-8				50	48	50	4-	-	-8
			48	46	48	9-	-	-7				48	46	48	4-	-	-7
			46	44	46	9-	-	-6				46	44	46	4-	-	-6
			44	42	44	9-	-	-5				44	42	44	4-	-	-5
			42	40	42	9-	-	-4				42	40	42	4-	-	-4
			40	38	40	9-	-	-3				40	38	40	4-	-	-3
			38	36	38	9-	-	-2				38	36	38	4-	-	-2
			36	34	36	9-	-	-1				36	34	36	4-	-	-1
			34	32	34	9-	-	0				34	32	34	4-	-	0
			32	30	32	8-	-	-9				32	30	32	3-	-	-9
			30	28	30	8-	-	-8				30	28	30	3-	-	-8
			28	26	28	8-	-	-7				28	26	28	3-	-	-7
			26	24	26	8-	-	-6				26	24	26	3-	-	-6
			24	22	24	8-	-	-5				24	22	24	3-	-	-5
			22	20	22	8-	-	-4				22	20	22	3-	-	-4
			20	18	20	8-	-	-3				20	18	20	3-	-	-3
			18	16	18	8-	-	-2				18	16	18	3-	-	-2
			16	14	16	8-	-	-1				16	14	16	3-	-	-1
			14	12	14	8-	-	0				14	12	14	3-	-	0
12	10	12	7-	-	-9	12	10	12	2-	-	-9						
10	8	10	7-	-	-8	10	8	10	2-	-	-8						
8	6	8	7-	-	-7	8	6	8	2-	-	-7						
6	4	6	7-	-	-6	6	4	6	2-	-	-6						
4	2	4	7-	-	-5	4	2	4	2-	-	-5						
30u"	1.2±0.1	6	50	48	50	7-	-	-4	8u"	1.2±0.1	6	50	48	50	2-	-	-4
			48	46	48	7-	-	-3				48	46	48	2-	-	-3
			46	44	46	7-	-	-2				46	44	46	2-	-	-2
			44	42	44	7-	-	-1				44	42	44	2-	-	-1
			42	40	42	7-	-	0				42	40	42	2-	-	0
			40	38	40	6-	-	-9				40	38	40	1-	-	-9
			38	36	38	6-	-	-8				38	36	38	1-	-	-8
			36	34	36	6-	-	-7				36	34	36	1-	-	-7
			34	32	34	6-	-	-6				34	32	34	1-	-	-6
			32	30	32	6-	-	-5				32	30	32	1-	-	-5
			30	28	30	6-	-	-4				30	28	30	1-	-	-4
			28	26	28	6-	-	-3				28	26	28	1-	-	-3
			26	24	26	6-	-	-2				26	24	26	1-	-	-2
			24	22	24	6-	-	-1				24	22	24	1-	-	-1
			22	20	22	6-	-	0				22	20	22	1-	-	0
			20	18	20	5-	-	-9				20	18	20	-	-	-9
			18	16	18	5-	-	-8				18	16	18	-	-	-8
			16	14	16	5-	-	-7				16	14	16	-	-	-7
			14	12	14	5-	-	-6				14	12	14	-	-	-6
			12	10	12	5-	-	-5				12	10	12	-	-	-5
10	8	10	5-	-	-4	10	8	10	-	-	-4						
8	6	8	5-	-	-3	8	6	8	-	-	-3						
6	4	6	5-	-	-2	6	4	6	-	-	-2						
4	2	4	5-	-	-1	4	2	4	5-	-	-1						

DIMENSION :		DWN		O. HU	
0	PLC ±	04-OCT-2002		TYCO HOLDINGS (BERMUDA)	
1	PLC ±0.15	CHK		J. CHENG	
2	PLC ±0.1	04-OCT-2002		NAME	
3	PLC ±0.05	MATERIAL		APVD	
ANGLES ±3'		SEE NOTE		J. WU	
		PRODUCT SPEC		04-OCT-2002	
		108-57197		AMPMODU 2.0MM PITCH REC	
		QUALIFICATION TEST REPORT		CONN, VERTICAL MOUNT TYPE	
		501-57197		LOC DW	
		WEIGHT		SCALE	
				SHEET	
				1 OF 2	

E	REVISED DRAWING	FZ00-0217-02	OH	04OCT
LTR	REVISION RECORD	ECN	DWN	2002
			CHK	DATE



2.6±0.1	5040	1260	105	40	9-	-9
	4320	1080	90	50	9-	-8
	4320	1080	90	48	9-	-7
	4320	1080	90	46	9-	-6
	4320	1080	90	44	9-	-5
	5040	1260	105	42	9-	-4
	5040	1260	105	40	9-	-3
	5040	1260	105	38	9-	-2
	5760	1440	120	36	9-	-1
	5760	1440	120	34	9-	-0
	6480	1620	135	32	8-	-9
	7200	1800	150	30	8-	-8
	7200	1800	150	28	8-	-7
	7920	1980	165	26	8-	-6
	8640	2160	180	24	8-	-5
1.2±0.1	9360	2340	195	22	8-	-4
	10080	2520	210	20	8-	-3
	11520	2880	240	18	8-	-2
	12960	3240	270	16	8-	-1
	15120	3780	315	14	8-	-0
	17280	4320	360	12	7-	-9
	20880	5220	435	10	7-	-8
	26640	6660	555	8	7-	-7
	35280	8820	735	6	7-	-6
	51840	12960	1080	4	7-1470209-5	
	4320	1080	90	50	7-	-4
	4320	1080	90	48	7-	-3
	4320	1080	90	46	7-	-2
	4320	1080	90	44	7-	-1
	5040	1260	105	42	7-	-0
5040	1260	105	40	6-	-9	
5040	1260	105	38	6-	-8	
5760	1440	120	36	6-	-7	
5760	1440	120	34	6-	-6	
6480	1620	135	32	6-	-5	
7200	1800	150	30	6-	-4	
7200	1800	150	28	6-	-3	
7920	1980	165	26	6-	-2	
8640	2160	180	24	6-	-1	
9360	2340	195	22	6-	-0	
10080	2520	210	20	5-	-9	
11520	2880	240	18	5-	-8	
12960	3240	270	16	5-	-7	
15120	3780	315	14	5-	-6	
17280	4320	360	12	5-	-5	
20880	5220	435	10	5-	-4	
26640	6660	555	8	5-	-3	
35280	8820	735	6	5-	-2	
51840	12960	1080	4	5-1470209-1		

2.6±0.1	5040	1260	105	40	4-	-9
	4320	1080	90	50	4-	-8
	4320	1080	90	48	4-	-7
	4320	1080	90	46	4-	-6
	4320	1080	90	44	4-	-5
	5040	1260	105	42	4-	-4
	5040	1260	105	40	4-	-3
	5040	1260	105	38	4-	-2
	5760	1440	120	36	4-	-1
	5760	1440	120	34	4-	-0
	6480	1620	135	32	3-	-9
	7200	1800	150	30	3-	-8
	7200	1800	150	28	3-	-7
	7920	1980	165	26	3-	-6
	8640	2160	180	24	3-	-5
1.2±0.1	9360	2340	195	22	3-	-4
	10080	2520	210	20	3-	-3
	11520	2880	240	18	3-	-2
	12960	3240	270	16	3-	-1
	15120	3780	315	14	3-	-0
	17280	4320	360	12	2-	-9
	20880	5220	435	10	2-	-8
	26640	6660	555	8	2-	-7
	35280	8820	735	6	2-	-6
	51840	12960	1080	4	2-1470209-5	
	4320	1080	90	50	2-	-4
	4320	1080	90	48	2-	-3
	4320	1080	90	46	2-	-2
	4320	1080	90	44	2-	-1
	5040	1260	105	42	2-	-0
5040	1260	105	40	1-	-9	
5040	1260	105	38	1-	-8	
5760	1440	120	36	1-	-7	
5760	1440	120	34	1-	-6	
6480	1620	135	32	1-	-5	
7200	1800	150	30	1-	-4	
7200	1800	150	28	1-	-3	
7920	1980	165	26	1-	-2	
8640	2160	180	24	1-	-1	
9360	2340	195	22	1-	-0	
10080	2520	210	20		-9	
11520	2880	240	18		-8	
12960	3240	270	16		-7	
15120	3780	315	14		-6	
17280	4320	360	12		-5	
20880	5220	435	10		-4	
26640	6660	555	8		-3	
35280	8820	735	6		-2	
51840	12960	1080	4		1470209-1	

"L"	Pcs/Carton	Pcs/Inner Carton	Pcs/BOX	POS.	PART NUMBER	"L"	Pcs/Carton	Pcs/Inner Carton	Pcs/BOX	POS.	PART NUMBER
DIMENSION :						DWN O. HU 04-OCT-2002					
0 PLC ±						CHK J. CHENG 04-OCT-2002					
1 PLC ±0.15						MATERIAL APVD J. WU 04-OCT-2002					
2 PLC ±0.1						SEE NOTE PRODUCT SPEC					
3 PLC ±0.05						FINISH SEE NOTE QUALIFICATION TEST REPORT					
ANGLES ±3'						WEIGHT					
						LOC DW		SIZE A ₃		DRAWING NO C-1470209	
						SCALE --		SHEET		REV E	
						2 OF 2					

SEE SHEET 1.	ECN	DWN	CHK	DATE
LTR	REVISION RECORD			